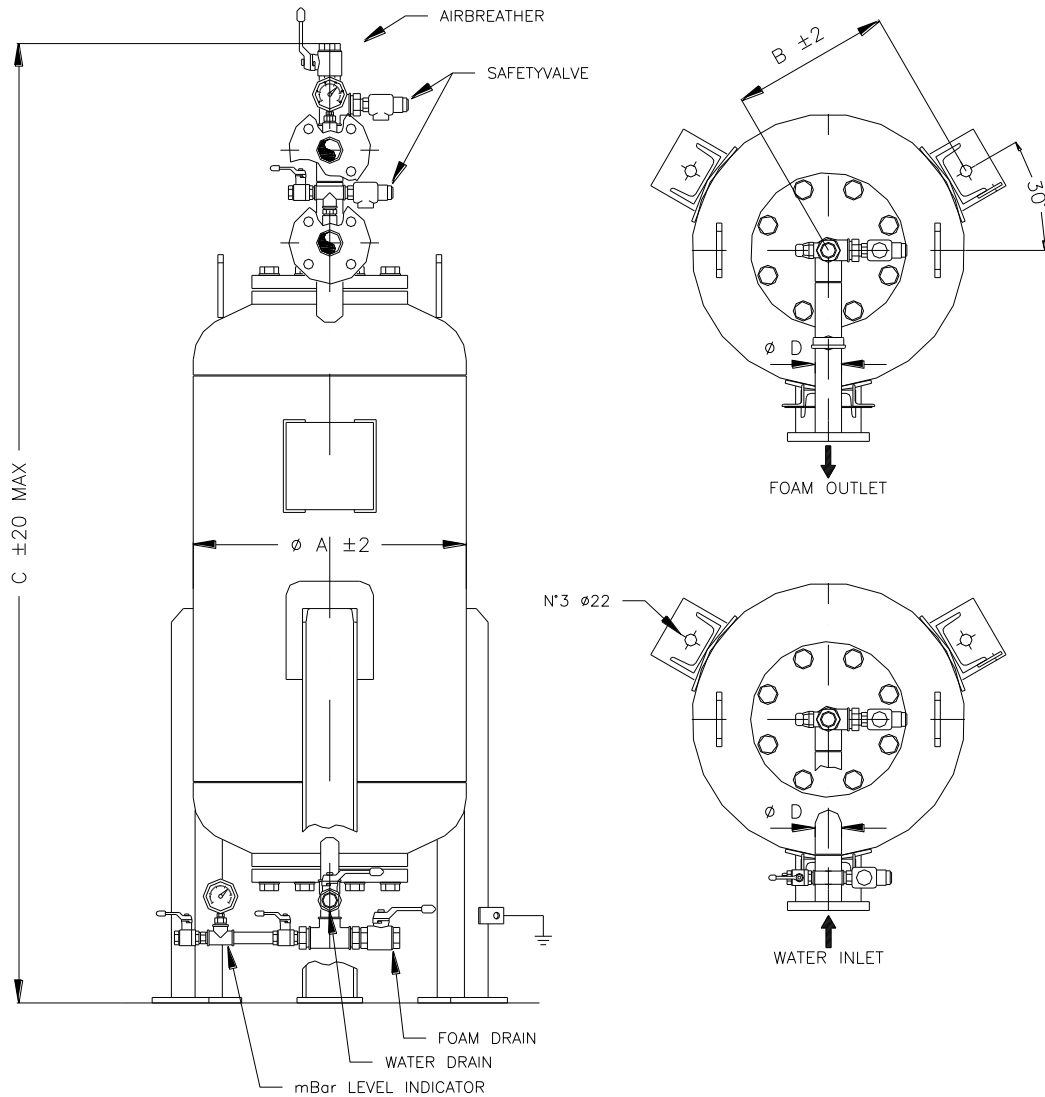
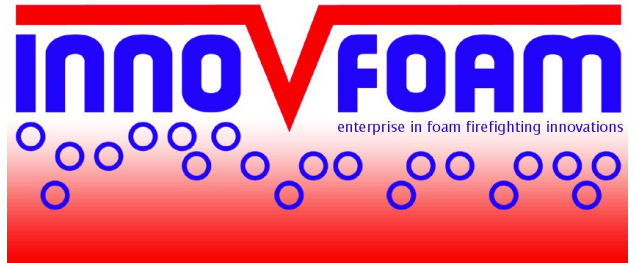


Vertical Bladdertank



Construction code: PED 97/23
Optional ASME VIII Div1.

Design pressure: 12 bar

Working pressure: 12 bar

Test pressure: 17,2 bar

Temperature range: +0°C/+50°C

Material tank: Steel ASTM A 517

Material flanges: Steel ASTM A 105

Material valves: Brass, nickel plated

Material manometers: SS

Material safety valves: Brass

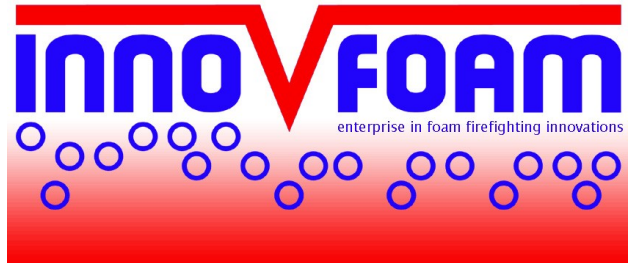
Material foamside: SS

Material bladder: Hypalon-neoprene

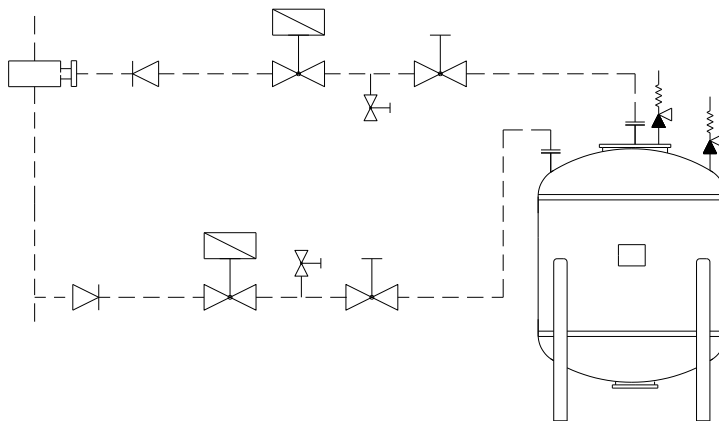
External coating: 50 micron epoxy primer
50 micron polyuretanan toplayer

Color: RAL 3000

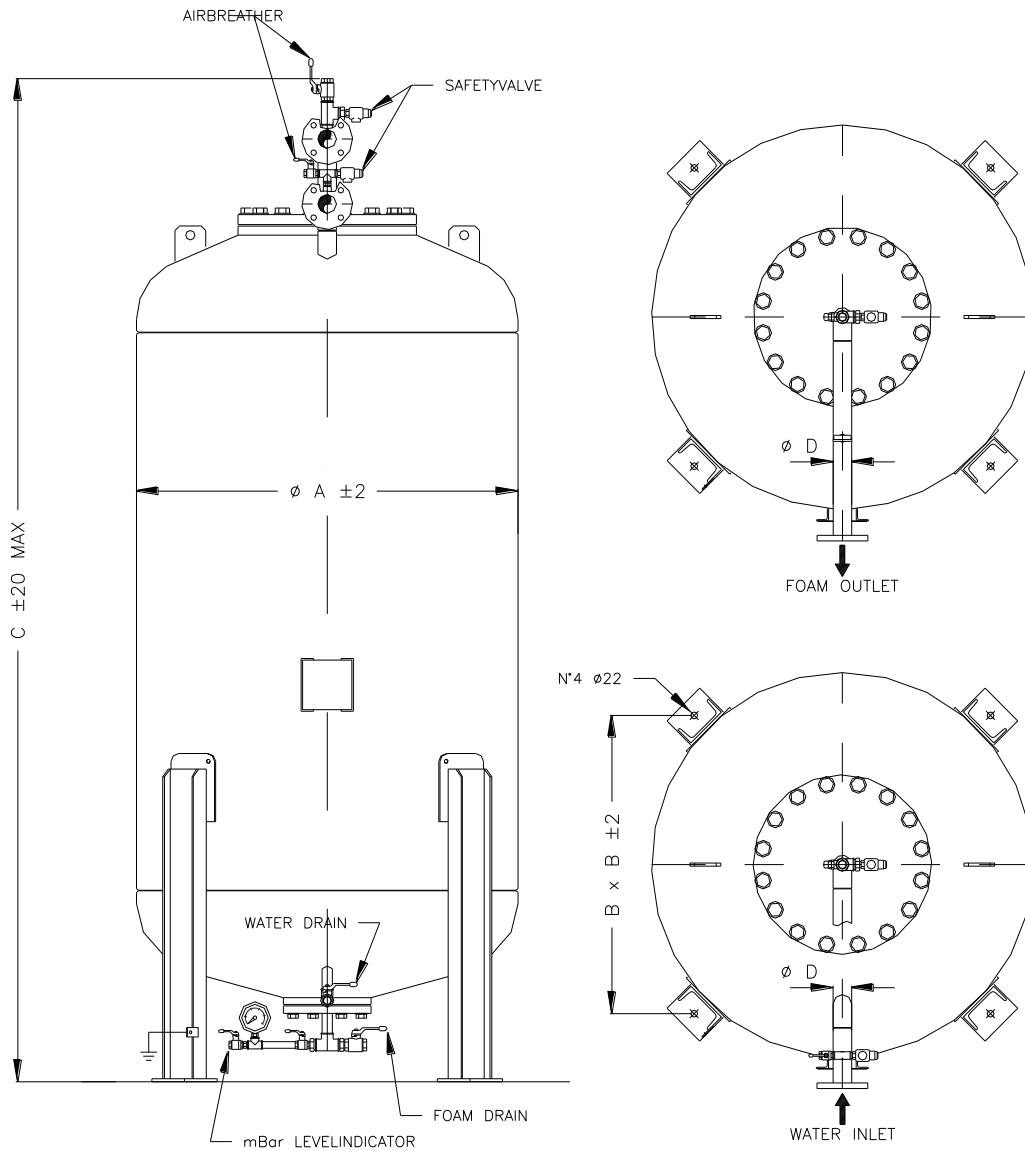
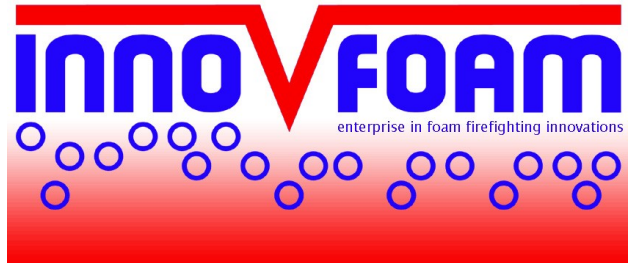
Vertical Bladdertank



Model	Dimensions				Working Weight Kg.
	Ø A	B	C	Ø D	
IVBT-200	500	291	2005	DN40 / 1 1/2 "	420
IVBT-400	700	391	1950	DN40 / 1 1/2 "	700



Vertical Bladdertank



Construction code: PED 97/23
Optional ASME VIII Div1.

Design pressure: 12 bar

Working pressure: 12 bar

Test pressure: 17,2 bar

Temperature range: +0°C/+50°C

Material tank: Steel ASTM A 517

Material flanges: Steel ASTM A 105

Material valves: Brass, nickel plated

Material manometers: SS

Material safety valves: Brass

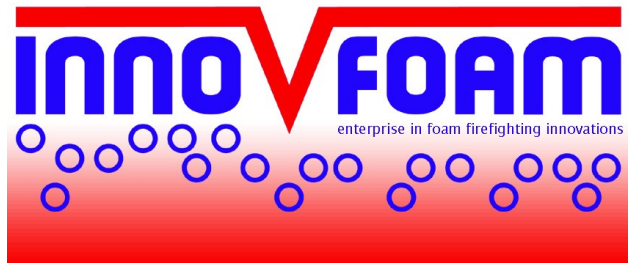
Material foamside: SS

Material bladder: Hypalon-neoprene

External coating: 50 micron epoxy primer
50 micron polyuretan toplayer

Color: RAL 3000

Vertical Bladdertank



Model	Dimensions				Working Weight Kg.
	Ø A	B x B	C	Ø D	
IVBT-600	800	624	2205	DN50 / 2"	1015
IVBT-1000	1000	790	2285	DN50 / 2"	1480
IVBT-1500	1000	790	2875	DN50 / 2"	2270
IVBT-2000	1100	864	3150	DN50 / 2"	3170
IVBT-2500	1170	914	3380	DN50 / 2"	3900
IVBT-3000	1270	984	3420	DN50 / 2"	4570
IVBT-3500	1360	1048	3470	DN50 / 2"	5440
IVBT-4000	1450	1112	3510	DN50 / 2"	6095
IVBT-4500	1450	1112	3775	DN50 / 2"	6795
IVBT-5000	1600	1245	3570	DN50 / 2"	7495
IVBT-5500	1600	1245	3785	DN50 / 2"	8185
IVBT-6000	1750	1351	3645	DN50 / 2"	8840
IVBT-6500	1750	1351	3760	DN50 / 2"	9495
IVBT-7000	1750	1351	4035	DN65 / 2 1/2"	10195
IVBT-7500	1750	1351	4230	DN65 / 2 1/2"	10880
IVBT-8000	1960	1534	3790	DN65 / 2 1/2"	11555
IVBT-8500	1960	1534	3940	DN65 / 2 1/2"	12225
IVBT-9000	2100	1636	3860	DN65 / 2 1/2"	13165
IVBT-10000	2200	1707	3905	DN65 / 2 1/2"	14470
IVBT-11000	2200	1707	4035	DN65 / 2 1/2"	15940
IVBT-12000	2200	1707	4305	DN65 / 2 1/2"	17315

